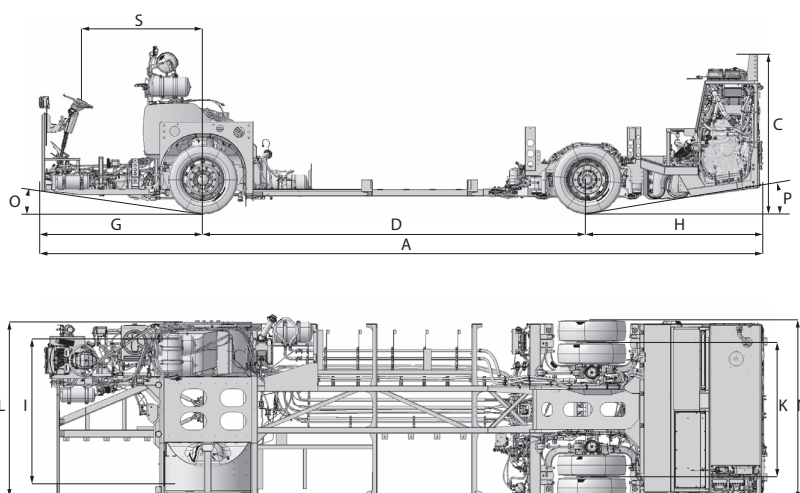




Volvo Buses. Driving quality of life

# VOLVO B5TL

EU6



Model		B5TL
<b>Overall dimensions</b>		
A	Overall chassis length	10080
C	Frame height at rear structure (mm)	2178
D	Wheelbase (mm)	5400
G	Front overhang	2265
H	Rear overhang (mm)	2418
S	Steering wheel position	SWP1680 (mm)
I	Track, front (mm)	2107
K	Track, rear (mm)	1885
L	Overall width front wheels or housing (mm)	2450
N	Overall width rear wheels (mm)	2495
O	Approach angle (°)	7.0
P	Departure angle (°)	8.0
	Track width, overall width and frame height with tyres:	275/70R22.5"
	and rims:	steel rim 7.5"x22.5"
<b>Weights</b>		
	Permitted front axle load (kg)	7100
	Permitted drive axle load (kg)	11500
	Permitted GVW (kg)	18600
<b>Engine</b>		<b>D5K240</b>
	Emission standard	Euro 6
	Engine system	EGR, Common rail
	Displacement (dm <sup>3</sup> )	5.1
	Cylinders/arrangement	4/in-line
	Output (hp)	240
	Output ISO 1585 (kW)	177
	Torque ISO 1585 (N/m)	918
	at engine speed (rpm)	1200-1600

Table cont. page 2

# VOLVO B5TL

EU6

Model	B5TL
<b>Fuel tanks</b>	
Diesel (L)	255
AdBlue (L)	30
<b>Transmission and axles</b>	
Gearbox	ZF 6AP1003B
Front axle	VOLVO RFS-L
Rear Axle	ZF AV132
Differential lock	No
<b>Suspension and steering</b>	
Air bellows, front	2
Air bellows, drive	4
Kneeling	Optional
Max wheel angle	53°
Power steering	Electric driven - hydraulic steering
Steering wheel side	RHD

## Important information

For variants concerning wheelbase, steering wheel diameter and permitted front axle load see Type approval acc. to ECE R13 and R79. Please note that manoeuvrability acc. to EC/97/27 needs to be considered for completed vehicles.

## Exhaust system

- One box muffler design
- Diesel Oxidation Catalyst (DOC)
- Diesel Particulate Filter (DPF)
- Selective Catalytic Reduction (SCR)
- Ammonia Slip Catalyst (ASC)
- Automatic regeneration of DPF without driver involvement under normal conditions

## Cooling system

- Pivotal radiator to ease access for maintenance
- Electrically driven fans with improved speed control
- No coolant filter
- Coolant level warning in instrument cluster
- Higher allowed coolant temperature for better cooling performance and lower fuel consumption

## Tyres & Rims

Steel or aluminium rims available.

Rims	Tyres
7,50"x22,5"	275/70 R22,5"
Spare wheel	Optional

## Air and Brake system

- Volvo disc brakes
- Electronic braking system (EBS 5)
- Anti-lock Braking System (ABS)
- Acceleration Slip Regulation (ASR)
- Brake blending
- Dual retarder control
- Drag torque control
- Hill start aid
- Brake temperature warning
- Poor brake performance warning
- Door brake
- Brake assistant
- Lining wear sensing and analysis
- Automatic calibration after brake pad change
- Compressed air system can easily be filled from external circuit

Cut-in pressure (bar)	9.5
Cut-out pressure (bar)	10.8

# VOLVO B5TL

EU6

## Driver's station

Cluster and controls transport mounted

Also available with Volvo dashboard:

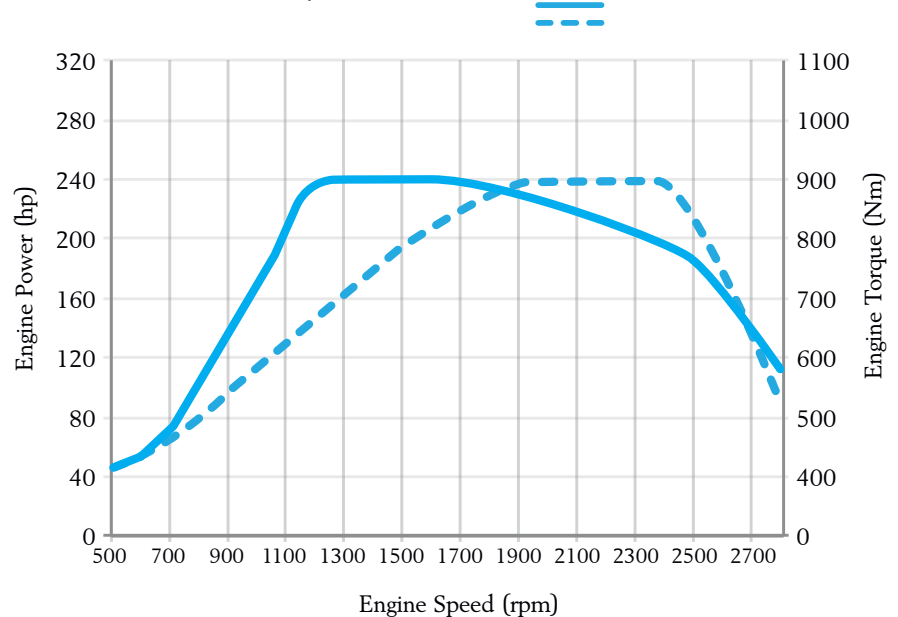
- Dashboard moves with the steering column in height and tilt
- Available in EBSF and VDV version with multistalk for wiper and direction indicator on left side of the steering wheel
- Instrument cluster:
  - speedometer
  - rev counter
  - 6.5" display
  - fuel gauge
  - coolant temperature
  - brakes
  - turbo and oil pressure
  - indicators
  - warning lamps
- Tachograph
- Data logging
- Alcolock
- External temperature meter
- Fuel economy meter
- Radio/phone switches in steering wheel
- Engine controls in engine compartment to enable engine operation from the rear of vehicle

## Electrical system

- I-Start:
  - Dual battery system which separates batteries into two circuits
  - Optimized start batteries to increase engine start capability
  - Optimized consumer batteries for longer lifetime
- Automatic shut off of main switch at low voltage level
- Load Balanced Alternators
- Regenerative Charge Control to increase fuel efficiency

Number of batteries 2x12 V Start Batteries  
2x12 V Consumer Batteries  
Battery capacity, consumer batteries 105 Ah  
Alternators max output 2x150 A, 3x150 A

Torque and Power curves D5K Eu6



# VOLVO

Volvo Bus Corporation

Göteborg, Sweden

[www.volvobuses.com](http://www.volvobuses.com)